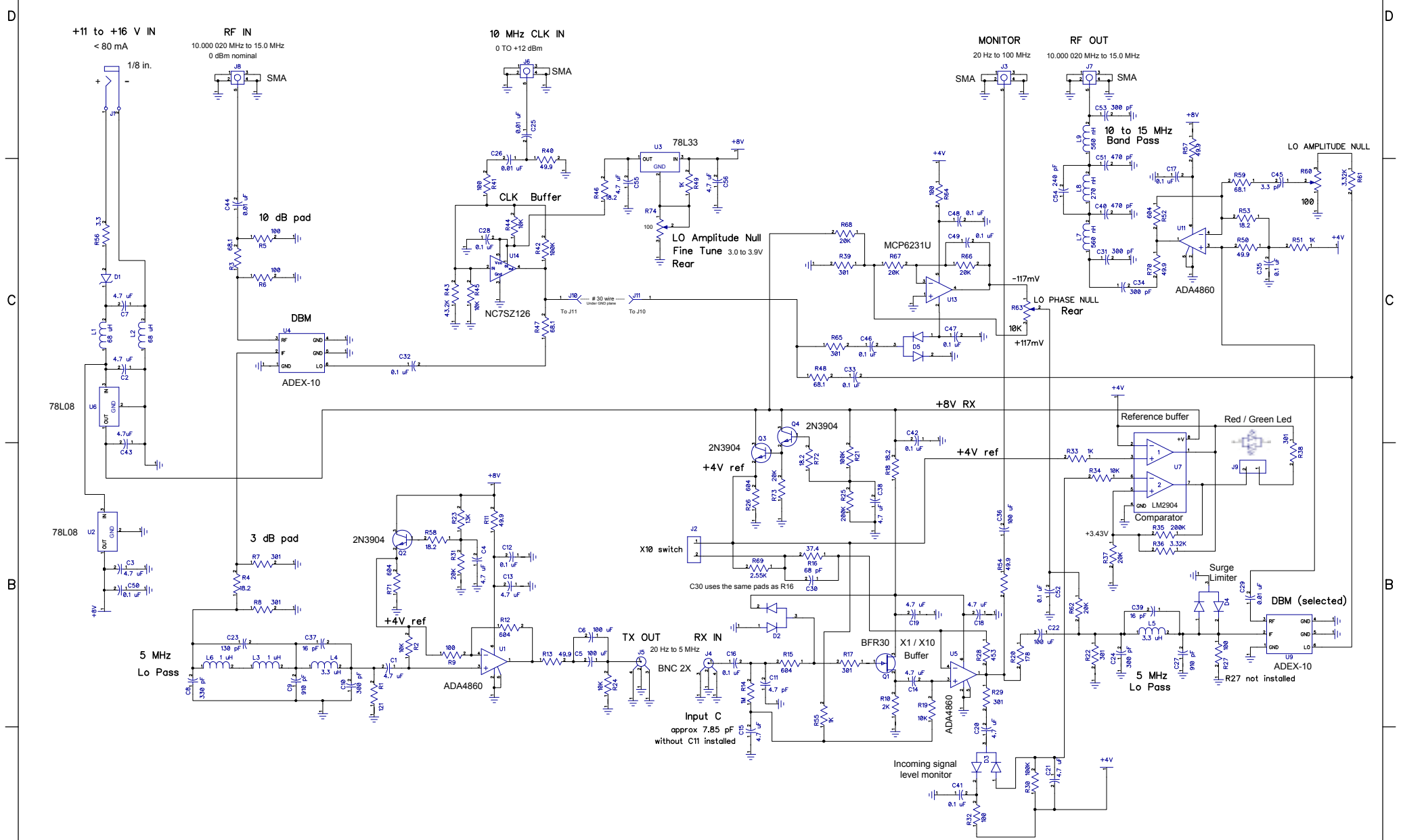


REVISIONS				
ZONE	REV	DESCRIPTION	DATE	APPROVED



LFA-2 LOW FREQUENCY ADAPTER

SIZE	FSCM NO.	DWG NO.	REV
SCALE	Sheet 1		